

SFC Series Clutch Coupling

SFC-170 Flange Mounted

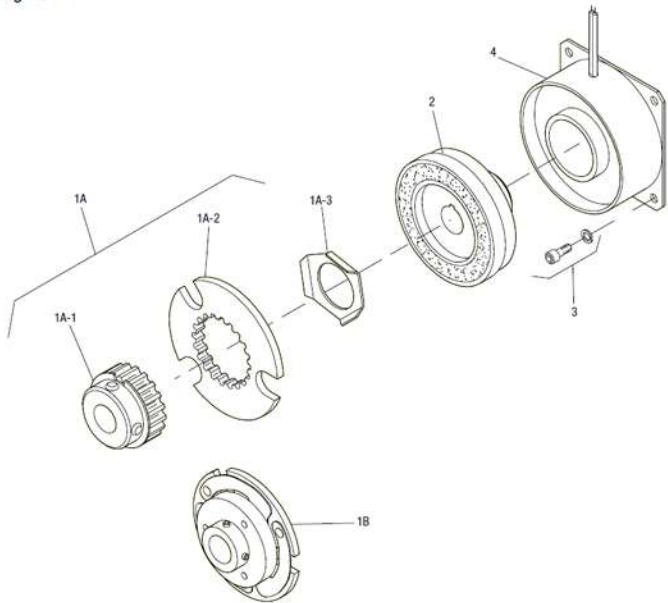


Drawing I-25756

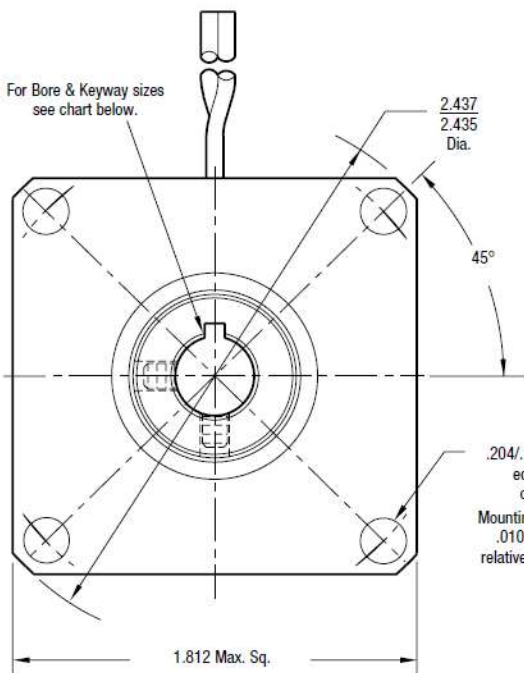
Unit Size	SFC-170, F.M.	
	Wt. (lbs.)	Inertia (lbs.in. ²)
Field250
Rotor127	.033
Armature031	.014
Armature Hub.....	.032	.00223
Antibacklash Armature024

Item	Description	Part Number	Qty.
1A	Armature and Hub		
1A-1	Armature Hub		1
	1/4" Bore	5102-541-002	
	5/16" Bore	5102-541-003	
	3/8" Bore	5102-541-004	
1A-2	Armature	110-0111	1
1A-3	Release Spring	808-0019	1
1B	Antibacklash Armature		1
	1/4" Bore	5623-111-008	
	5/16" Bore	5623-111-009	
	3/8" Bore	5623-111-010	
2	Rotor		1
	1/4" Bore	5603-751-028	
	5/16" Bore	5603-751-029	
	3/8" Bore	5603-751-030	
3	Mounting Accessory	5102-101-001	1
4	Field		1
	6 Volt	5603-451-047	
	24 Volt	5603-451-049	
	90 Volt	5603-451-051	

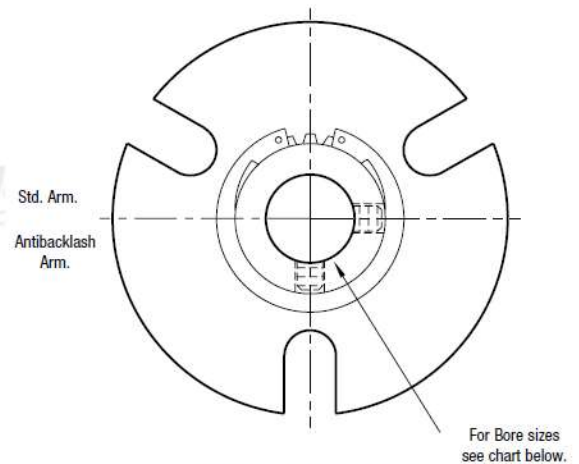
SFC-170 Flange Mounted



Parts
AutomatedPT



FIELD VIEW



ARMATURE VIEW