

SFC Series Clutch Coupling

SFC-250 Flange Mounted

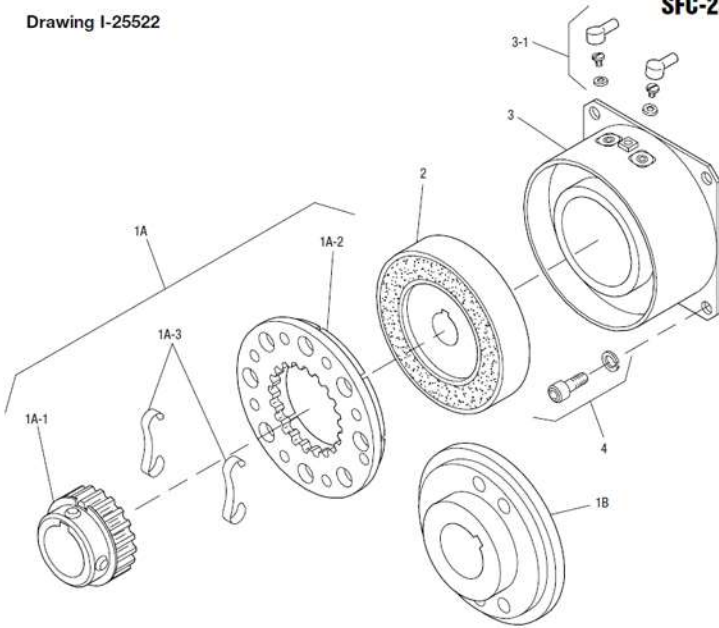


Unit Size	SFC-250, F.M.	
	Wt. (lbs.)	Inertia (lbs.in. ²)
Field678
Rotor367	.267
Armature234	.255
Armature Hub.....	.111	.030
Antibacklash Armature293

Item	Description	Part Number	Qty.
1A	Armature and Hub		
1A-1	Armature Hub		1
	3/8" Bore	5103-541-002	
	1/2" Bore	5103-541-004	
	5/8" Bore	5103-541-006	
	3/4" Bore	5103-541-008	
1A-2	Armature	5124-111-001	1
1A-3	Release Spring	5103-101-003	1
1B	Antibacklash Armature		1
	3/8" Bore	5365-111-003	
	1/2" Bore	5365-111-005	
	5/8" Bore	5365-111-007	
	3/4" Bore	5365-111-009	
2	Rotor		1
	3/8" Bore	5103-751-008	
	1/2" Bore	5103-751-010	
3	Field		1
	6 Volt	5103-451-002	
	24 Volt	5103-451-004	
	90 Volt	5103-451-007	

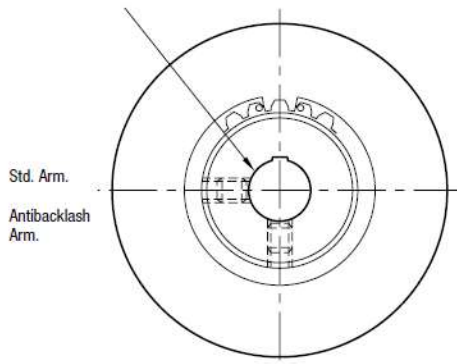
Drawing I-25522

SFC-250 Flange Mounted

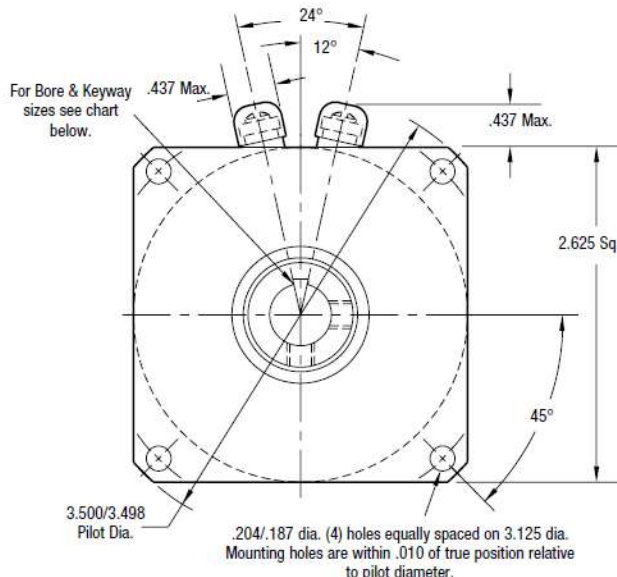


Item	Description	Part Number	Qty.
3-1	Terminal Accessory	5103-101-002	1
4	Mounting Accessory	5102-101-001	1

For Bore & Keyway sizes see chart below.



ARMATURE VIEW



FIELD VIEW