

## SFC Series Clutch Coupling

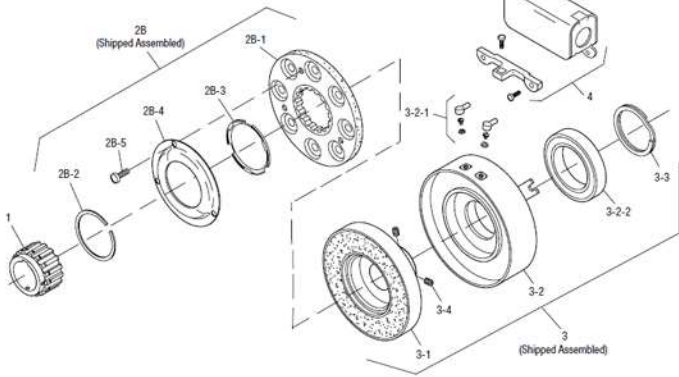
### SFC-500 Bearing Mounted Heavy Duty



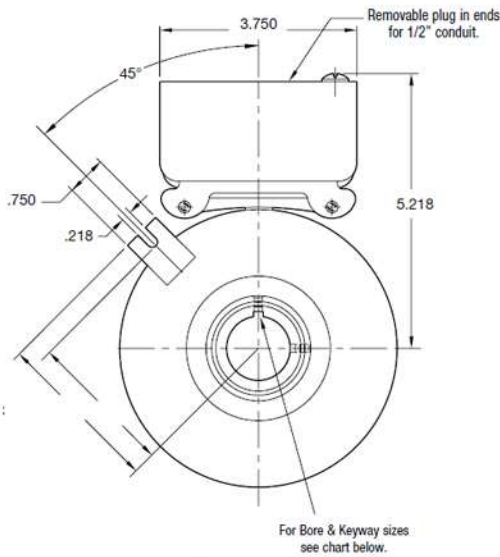
Unit Size	SFC-500, H.D.	
	Wt. (lbs.)	Inertia (lbs.ft. <sup>2</sup> )
Field & Rotor Assembly ...	5.947	.036
Field.....	3.618	.....
Rotor.....	2.329	.036
Armature & Pins .....	.....	.....
Armature .....	1.192	.029
Armature Hub.....	.161	.0007
Bushing: Max. Bore to ...	.....	.....
Min. Bore.....	.....	.....

Drawing I-25541

SFC-500 Bearing Mounted Heavy Duty



ARMATURE VIEW



FIELD VIEW

Item	Description	Part Number	Qty.
1	Armature Hub Assembly		1
	5/8" Bore	5200-541-015	
	3/4" Bore	5200-541-002	
	7/8" Bore	5200-541-003	
	15/16" Bore	5200-541-004	
	1" Bore	5200-541-005	
	1-1/8" Bore	5200-541-006	
	1-1/4" Bore	5200-541-007	

2B	Armature Assembly w/Autogap	5230-111-002	1
2B-1	Armature	5230-111-001	1
2B-2	Retainer Ring	748-0355	1
2B-3	Autogap Spring	808-0412	1
2B-4	Retainer Plate	748-0364	1
2B-5	Screw	797-0028	3
3	Field and Rotor Assembly		1

	90 Volt - 5/8" Bore	5200-452-115	
	6 Volt - 3/4" Bore	5200-452-002	
	24 Volt - 3/4" Bore	5200-452-004	
	90 Volt - 3/4" Bore	5200-452-005	
	6 Volt - 7/8" Bore	5200-452-008	
	24 Volt - 7/8" Bore	5200-452-010	
	90 Volt - 7/8" Bore	5200-452-011	
	24 Volt - 15/16" Bore	5200-452-016	
	90 Volt - 15/16" Bore	5200-452-017	
	6 Volt - 1" Bore	5200-452-020	
	24 Volt - 1" Bore	5200-452-022	
	90 Volt - 1" Bore	5200-452-023	
	6 Volt - 1-1/8" Bore	5200-452-026	
	24 Volt - 1-1/8" Bore	5200-452-028	
	90 Volt - 1-1/8" Bore	5200-452-029	
	6 Volt - 1-1/4" Bore	5200-452-032	
	24 Volt - 1-1/4" Bore	5200-452-034	
	90 Volt - 1-1/4" Bore	5200-452-035	

Item	Description	Part Number	Qty.
3-1	Rotor		1
	5/8" Bore	5200-541-048	
	3/4" Bore	5200-751-002	
	7/8" Bore	5200-751-003	
	15/16" Bore	5200-751-004	
	1" Bore	5200-751-005	
	1-1/8" Bore	5200-751-006	
	1-1/4" Bore	5200-751-007	

3-2	Field & Bearing Assembly		1
	6 Volt	5200-451-024	
	24 Volt	5200-451-026	
	90 Volt	5200-451-027	

3-2-1	Terminal Accessory	5311-101-001	1
3-2-2	Ball Bearing	166-0110	1
3-3	Retainer Ring	748-0002	1
3-4	Setscrew	797-0069	2
4	Conduit Box	5200-101-010	1