

# SFC Series Clutch Coupling

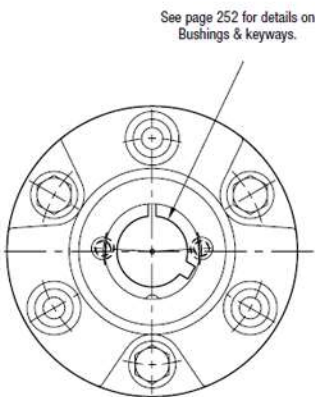
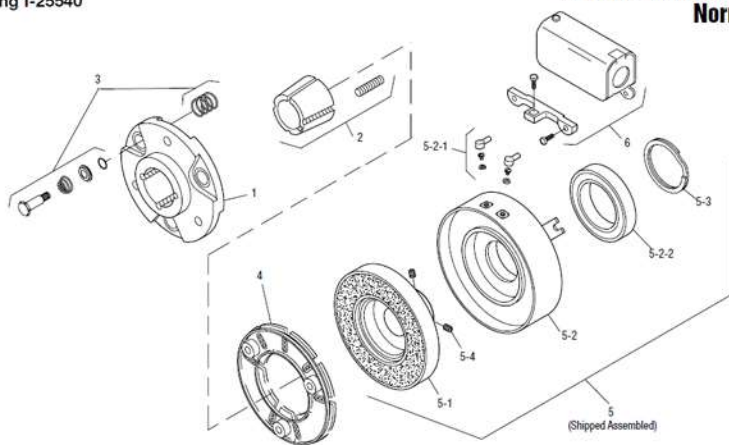
## SFC-500 Bearing Mounted Normal Duty



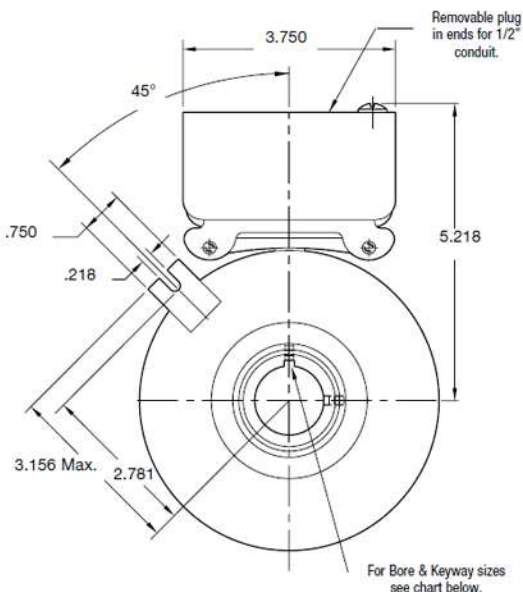
Unit Size	SFC-500, N.D.	
	Wt. (lbs.)	Inertia (lbs.ft. <sup>2</sup> )
Field & Rotor Assembly .....	5.947	.036
Field.....	3.618	.....
Rotor .....	2.329	.036
Armature & Pins .....	1.20	.033
Armature .....	.....	.....
Armature Hub.....	.941	.018
Bushing: Max. Bore to .....	.436	.002
Min. Bore.....	.842	.003

Drawing I-25540

SFC-500 Bearing Mounted Normal Duty



HUB VIEW



FIELD VIEW

Item	Description	Part Number	Qty.
1	Armature Hub		1
	Standard Hub	5300-541-004	
	Optional Bronze Bushings	5300-541-014	
2	Bushing*		1
	1/2" to 1 1/4" Bore	180-0116 to 180-0128	
3	Autogap Accessory	5200-101-009	3
4	Armature		1
	Segmented-Standard	5300-111-002	
	Solid	110-0241	
5	Field and Rotor Assembly		1
	90 Volt - 5/8" Bore	5200-452-115	
	6 Volt - 3/4" Bore	5200-452-002	
	24 Volt - 3/4" Bore	5200-452-004	
	90 Volt - 3/4" Bore	5200-452-005	
	6 Volt - 7/8" Bore	5200-452-008	
	24 Volt - 7/8" Bore	5200-452-010	
	90 Volt - 7/8" Bore	5200-452-011	
	24 Volt - 15/16" Bore	5200-452-016	
	90 Volt - 15/16" Bore	5200-452-017	
	6 Volt - 1" Bore	5200-452-020	
	24 Volt - 1" Bore	5200-452-022	
	90 Volt - 1" Bore	5200-452-023	
6 Volt - 1-1/8" Bore	5200-452-026		
24 Volt - 1-1/8" Bore	5200-452-028		
90 Volt - 1-1/8" Bore	5200-452-029		
6 Volt - 1-1/4" Bore	5200-452-032		
24 Volt - 1-1/4" Bore	5200-452-034		
90 Volt - 1-1/4" Bore	5200-452-035		
5-1	Rotor		1
	5/8" Bore	5200-751-048	
	3/4" Bore	5200-751-002	

Item	Description	Part Number	Qty.
	15/16" Bore	5200-751-004	
	1" Bore	5200-751-005	
	7/8" Bore	5200-751-003	
	1-1/8" Bore	5200-751-006	
	1-1/4" Bore	5200-751-007	
5-2	Field & Bearing Assembly		1
	6 Volt	5200-451-024	
	24 Volt	5200-451-026	
	90 Volt	5200-451-027	
5-2-1	Terminal Accessory	5311-101-001	1
5-2-2	Ball Bearing	166-0110	1
5-3	Retainer Ring	748-0002	1
5-4	Setscrew	797-0069	2
6	Conduit Box	5200-101-010	1

Shaft Size	Keyway Size	Bushing N
		Warner Electric
1/2	1/8 x 1/16	180-0116
9/16	1/8 x 1/16	180-0117
5/8	3/16 x 3/32	180-0118
11/16	3/16 x 3/32	180-0119
3/4	3/16 x 3/32	180-0120
13/16	3/16 x 3/32	180-0121
7/8	3/16 x 3/32	180-0122
15/16	1/4 x 1/8	180-0123
1	1/4 x 1/8	180-0124
1 1/16	1/4 x 1/8	180-0125
1 1/8	1/4 x 1/8	180-0126
1 3/16	1/4 x 1/8	180-0127
1 1/4	1/4 x 1/8	180-0128