

SFC Series Clutch Coupling

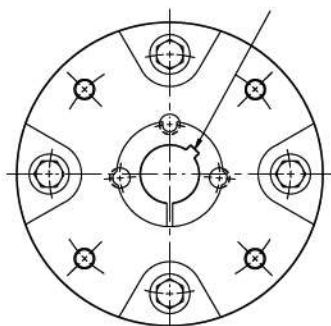
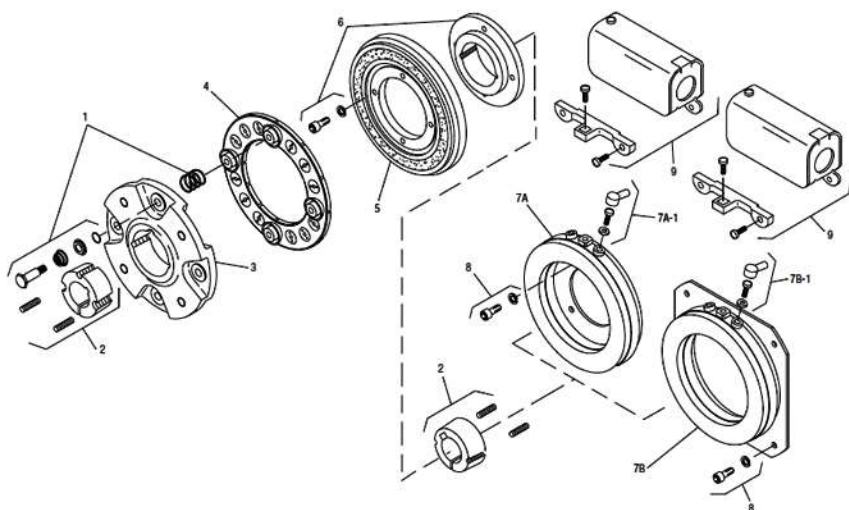
SFC-650 Flange Mounted



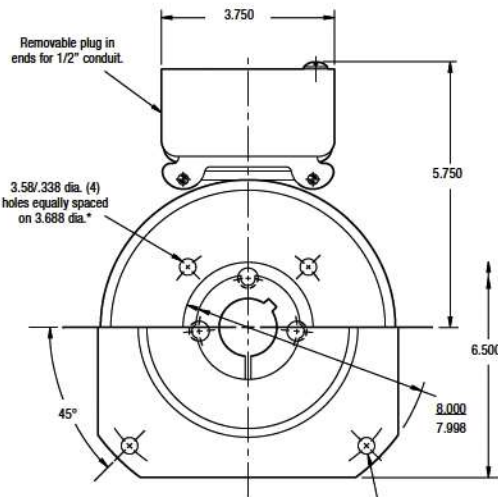
Unit Size	SFC-650, F.M.	
	Wt. (lbs.)	Inertia (lbs.ft. ²)
Field & Rotor Assembly
Field.....	4.4
Rotor.....	2.3	.20
Rotor Hub.....	1.8	.01
Armature & Pins.....	1.8	.08
Armature Hub.....	1.3	.02

Drawing I-25728

SFC-650 Flange Mounted



HUB VIEW



FIELD VIEW
(Inside & Outside Mounted)

Item	Description	Part Number	Qty.
1	Autogap Accessory	5181-101-010	4
2	Bushing*		2
	1/2" to 1-5/8" Bore	180-0326 to 180-0344	1
3	Armature Hub	5207-541-002	1
4	Armature	5281-111-002	1
5	Rotor	5281-751-001	1
6	Rotor Hub & Mounting Accessory	5207-101-005	1
7A	Field - Inside Mounted		1
	6 Volt	5207-451-009	
	24 Volt	5207-451-012	
	90 Volt	5207-451-011	
7A-1	Terminal Accessory	5311-101-001	1
7B	Field - Outside Mounted		1
	6 Volt	5207-451-003	
	24 Volt	5207-451-006	
	90 Volt	5207-451-005	
7B-1	Terminal Accessory	5311-101-001	1
8	Mounting Accessory	5321-101-002	1
9	Conduit Box	5200-101-010	1

Shaft Size	Keyway Size	Bushing Warner Electric
1/2	1/8 x 1/16	180-0326
9/16	1/8 x 1/16	180-0327
5/8	3/16 x 3/32	180-0328
1 1/16	3/16 x 3/32	180-0329
3/4	3/16 x 3/32	180-0330
13/16	3/16 x 3/32	180-0331
7/8	3/16 x 3/32	180-0332
15/16	1/4 x 1/8	180-0333
1	1/4 x 1/8	180-0334
1 1/16	1/4 x 1/8	180-0335
1 1/8	1/4 x 1/8	180-0336
1 3/16	1/4 x 1/8	180-0337
1 1/4	1/4 x 1/8	180-0338
1 5/16	5/16 x 5/32	180-0339
1 3/8	5/16 x 5/32	180-0340
1 7/16	3/8 x 3/16	180-0341
1 1/2	3/8 x 3/16	180-0342
1 9/16	3/8 x 3/16	180-0343
1 5/8	3/8 x 3/16	180-0344