

# SFC Series Clutch Coupling

## SFC-825 Bearing Mounted

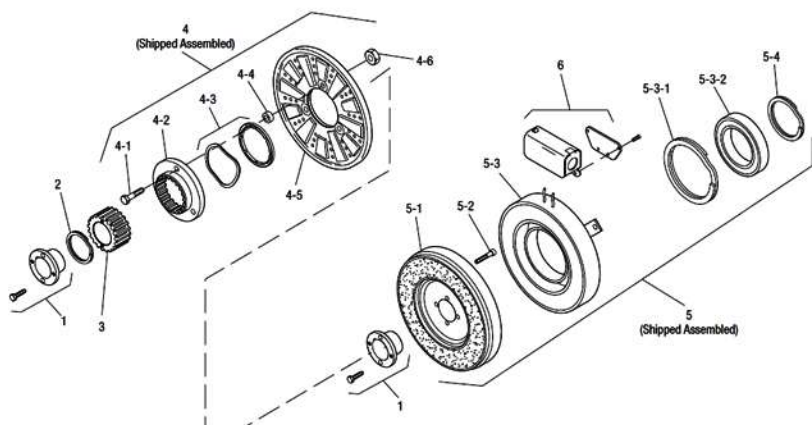


Unit Size	SFC-825, B.M.	
	Wt. (lbs.)	Inertia (lbs.ft. <sup>2</sup> )
Field & Rotor Assembly .....	15.552	.756
Field.....	8.994	.....
Field Hub & Brg. ....	.....	.....
Rotor .....	6.558	.756
Rotor Hub.....	.....	.....
Bushing - Rotor Hub: Max. Bore to.....	.600	.004
Min. Bore.....	1.276	.005
Armature & Splined Adapter.....	5.263	.326
Splined Hub .....	.834	.006
Bushing - Splined Hub: Max. Bore to.....	.301	.0026
Min. Bore.....	.762	.0039

Item	Description	Part Number	Qty.
1	Bushing*		2
	1/2" to 1-1/2" Bore	180-0002 to 180-0018	
2	Retainer Ring	748-0006	1
3	Splined Hub	540-0057	1
4	Armature & Splined Adapter	5201-111-001	1
4-1	Capscrew	797-0341	3
4-2	Splined Adapter	104-0008	1
4-3	Autogap Accessory	5321-101-006	1
4-4	Spacer	748-0333	3
4-5	Armature	5321-111-022	1
4-6	Locknut	661-0004	3
5	Field & Rotor Assembly		1
	6 Volt	5201-452-002	
	24 Volt	5201-452-004	
	90 Volt	5201-452-006	
5-1	Rotor		1
	Standard Friction Material	5201-751-008	
	†Optional LK Facing	5201-751-014	
5-2	Mounting Accessory	5201-101-005	1
5-3	Field & Bearing Assembly		1
	6 Volt	5201-451-054	
	24 Volt	5201-451-056	
	90 Volt	5201-451-057	

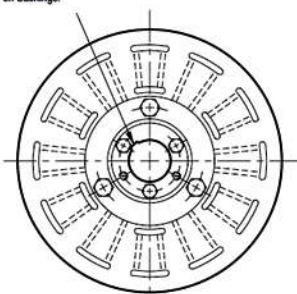
Drawing I-25574

### SFC-825 Bearing Mounted

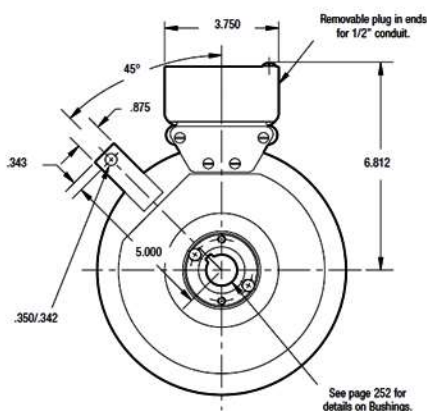


Item	Description	Part Number	Qty.
5-3-1	Retainer Ring	748-0111	1
5-3-2	Bearing	166-0142	
5-4	Retainer Ring	748-0016	1
6	Conduit Box	5200-101-012	1

See page 252 for details on Bushings.



ARMATURE VIEW



FIELD VIEW

Shaft Size	Keyway Size	Warner Electric
1/2	1/8 x 1/16	180-0002
9/16	1/8 x 1/16	180-0003
5/8	3/16 x 3/32	180-0004
11/16	3/16 x 3/32	180-0005
3/4	3/16 x 3/32	180-0006
13/16	3/16 x 3/32	180-0007
7/8	3/16 x 3/32	180-0008
15/16	1/4 x 1/8	180-0009
1	1/4 x 1/8	180-0010
1 1/16	1/4 x 1/8	180-0011
1 1/8	1/4 x 1/8	180-0012
1 3/16	1/4 x 1/8	180-0013
1 1/4	1/4 x 1/8	180-0014
1 5/16	5/16 x 5/32	180-0015
1 3/8	5/16 x 5/32	180-0016
1 7/16	3/8 x 3/16	180-0017
1 1/2	3/8 x 3/16	180-0018