

SFC Series Clutch Coupling

SFC-825 Flange Mounted

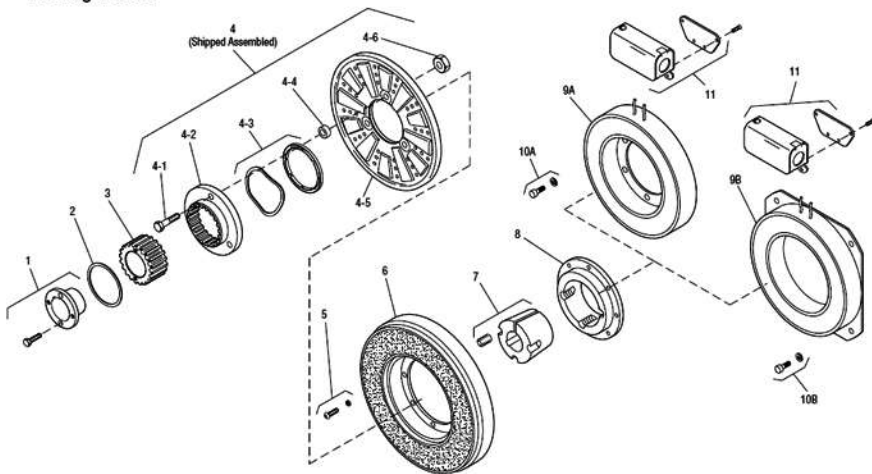


Unit Size	SFC-650, B.M.	
	Wt. (lbs.)	Inertia (lbs.ft. ²)
Field & Rotor Assembly	9.8	.21
Field.....	4.4
Rotor	2.3	.20
Rotor Hub	1.8	.01
Armature & Pins	1.8	.08
Armature Hub.....	1.3	.02

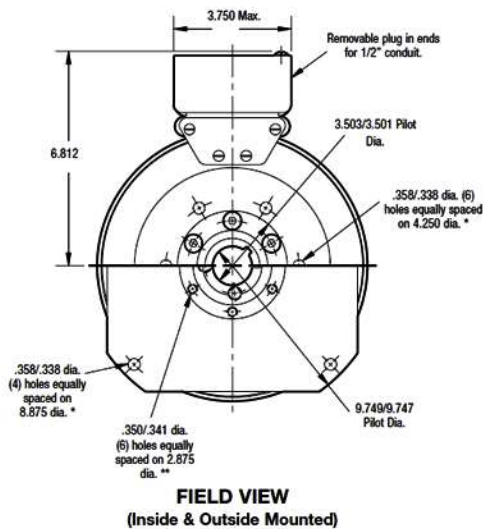
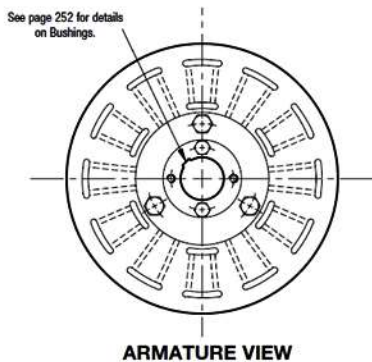
Item	Description	Part Number	Qty.
1	Bushing*		1
	1/2" to 1-1/2" Bore	180-0002 to 180-0018	
2	Retainer Ring	748-0006	1
3	Splined Hub	540-0057	1
4	Armature & Splined Adapter	5201-111-001	1
4-1	Capscrew	797-0341	3
4-2	Splined Adapter	104-0008	1
4-3	Autogap Accessory	5321-101-006	1
4-4	Spacer	748-0333	3
4-5	Armature	5321-111-022	1
4-6	Locknut	661-0004	3
5	Mounting Accessory	5201-101-007	1
6	Rotor		1
	Standard Friction Material	5201-751-003	
	†Optional LK Facing	5201-751-007	
7	Bushing*		1
	1/2" to 1-1/4" Bore	180-0101 to 180-0013	
8	Rotor Hub	540-0013	1
9A	Field - Inside Mounted		1
	6 Volt	5201-451-006	
	24 Volt	5201-451-008	
	90 Volt	5201-451-010	

Drawing I-25564

SFC-825 Flange Mounted



Item	Description	Part Number	Qty.
9B	Field - Outside Mounted		1
	6 Volt	5201-451-014	
	24 Volt	5201-451-016	
	90 Volt	5201-451-018	
10A	Mounting Accessory - I.M.	5321-101-001	1
10B	Mounting Accessory - O.M.	5321-101-002	1
11	Conduit Box	5200-101-012	1



Shaft Size	Keyway Size	Bushing I
		Warner Electric
1/2	1/8 x 1/16	180-0002
9/16	1/8 x 1/16	180-0003
5/8	3/16 x 3/32	180-0004
11/16	3/16 x 3/32	180-0005
3/4	3/16 x 3/32	180-0006
13/16	3/16 x 3/32	180-0007
7/8	3/16 x 3/32	180-0008
15/16	1/4 x 1/8	180-0009
1	1/4 x 1/8	180-0010
1 1/16	1/4 x 1/8	180-0011
1 1/8	1/4 x 1/8	180-0012
1 3/16	1/4 x 1/8	180-0013
1 1/4	1/4 x 1/8	180-0014
1 5/16	5/16 x 5/32	180-0015
1 3/8	5/16 x 5/32	180-0016
1 7/16	3/8 x 3/16	180-0017
1 1/2	3/8 x 3/16	180-0018