

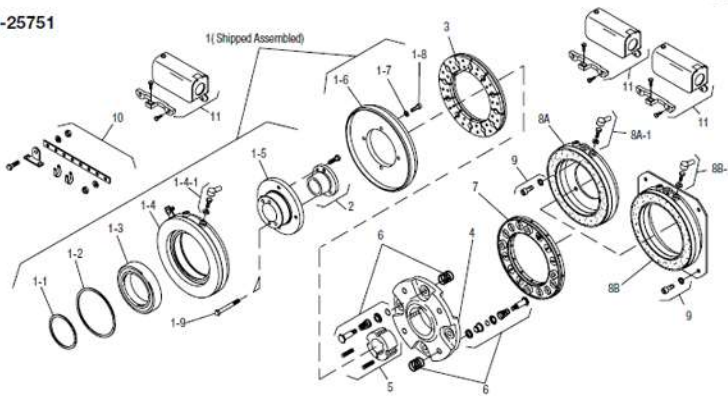
## SFPBC Series Clutch/Brake Coupling

### SFPBC-650



| Unit Size                   | SFPBC-650, N.D. |                                 |
|-----------------------------|-----------------|---------------------------------|
|                             | Wt. (lbs.)      | Inertia (lbs.ft. <sup>2</sup> ) |
| Field & Rotor Assembly ...  | 9.8             | .21                             |
| Field.....                  | 4.4             | .....                           |
| Rotor.....                  | 2.3             | .20                             |
| Rotor Hub.....              | 1.8             | .01                             |
| Magnet.....                 | 4.5             | .....                           |
| Magnet Hub Assembly....     | .....           | .....                           |
| Armature.....               | .....           | .....                           |
| Armature & Pins.....        | 1.8             | .08                             |
| Armature Hub.....           | 1.3             | .02                             |
| Bushing: Max. Bore to ..... | .....           | .....                           |
| Min. Bore.....              | .....           | .....                           |

Drawing I-25751



### SFPBC-650

| Item  | Description                | Part Number          | Qty. |
|-------|----------------------------|----------------------|------|
| 1     | Field & Rotor Assembly     |                      | 1    |
|       | 6 Volt                     | 5207-452-002         |      |
|       | 24 Volt                    | 5207-452-005         |      |
|       | 90 Volt                    | 5207-452-004         |      |
| 1-1   | Retainer Ring External     | 748-0004             | 1    |
| 1-2   | Retainer Ring Internal     | 748-0104             | 1    |
| 1-3   | Ball Bearing               | 166-0104             | 1    |
| 1-4   | Field Assembly             |                      | 1    |
|       | 6 Volt                     | 5281-451-002         |      |
|       | 24 Volt                    | 5281-451-004         |      |
|       | 90 Volt                    | 5281-451-005         |      |
| 1-4-1 | Terminal Accessory         | 5311-101-001         | 3    |
| 1-5   | Rotor Hub                  | 540-0614             | 1    |
| 1-6   | Rotor Assembly             | 5281-751-001         | 1    |
| 1-7   | Lockwasher                 | 950-0355             | 4    |
| 1-8   | Capscrew                   | 797-0083             | 4    |
| 1-9   | Reverse Mounting Accessory | 5201-101-005         | 1    |
| 2     | Bushing*                   |                      | 1    |
|       | 1/2" to 1-1/2" Bore        | 180-0002 to 180-0018 |      |
| 3     | Armature Clutch            | 5281-111-002         | 1    |
| 4     | Armature Hub               | 5207-541-002         | 1    |
| 5     | Bushing*                   |                      | 1    |
|       | 1/2" to 1-5/8" Bore        | 180-0326 to 180-0344 |      |
| 6     | Autogap Accessory          | 5181-101-010         | 8    |
| 7     | Armature - Brake           | 5281-111-002         | 1    |
| 8A    | Magnet - Inside Mounted    |                      | 1    |
|       | 6 Volt                     | 5369-631-003         |      |
|       | 24 Volt                    | 5369-631-006         |      |
|       | 90 Volt                    | 5369-631-005         |      |

### Bushing Part Numbers

| Shaft Size | Keyway Size | Warner Electric |
|------------|-------------|-----------------|
| 1/2        | 1/8 X 1/16  | 180-0002        |
| 9/16       | 1/8 X 1/16  | 180-0003        |
| 5/8        | 3/16 X 3/32 | 180-0004        |
| 11/16      | 3/16 X 3/32 | 180-0005        |
| 3/4        | 3/16 X 3/32 | 180-0006        |
| 13/16      | 3/16 X 3/32 | 180-0007        |
| 7/8        | 3/16 X 3/32 | 180-0008        |
| 15/16      | 1/4 X 1/8   | 180-0009        |
| 1          | 1/4 X 1/8   | 180-0010        |
| 1 1/16     | 1/4 X 1/8   | 180-0011        |
| 1 1/8      | 1/4 X 1/8   | 180-0012        |
| 1 3/16     | 1/4 X 1/8   | 180-0013        |
| 1 1/4      | 1/4 X 1/8   | 180-0014        |
| 1 5/16     | 5/16 X 5/32 | 180-0015        |
| 1 3/8      | 5/16 X 5/32 | 180-0016        |
| 1 7/16     | 3/8 X 3/16  | 180-0017        |
| 1 1/2      | 3/8 X 3/16  | 180-0018        |

| Item | Description              | Part Number  | Qty. |
|------|--------------------------|--------------|------|
| 8A-1 | Terminal Accessory       | 5311-101-001 | 2    |
| 8B   | Magnet - Outside Mounted |              | 1    |
|      | 6 Volt                   | 5369-631-009 |      |
|      | 24 Volt                  | 5369-631-012 |      |
|      | 90 Volt                  | 5369-631-011 |      |
| 8B-1 | Terminal Accessory       | 5311-101-001 | 2    |
| 9    | Mounting Accessory       | 5321-101-002 | 1    |
| †10  | Torque Arm Accessory     | 5207-101-003 | 1    |
| 11   | Conduit Box              | 5200-101-010 | 3    |

Warner Electric

