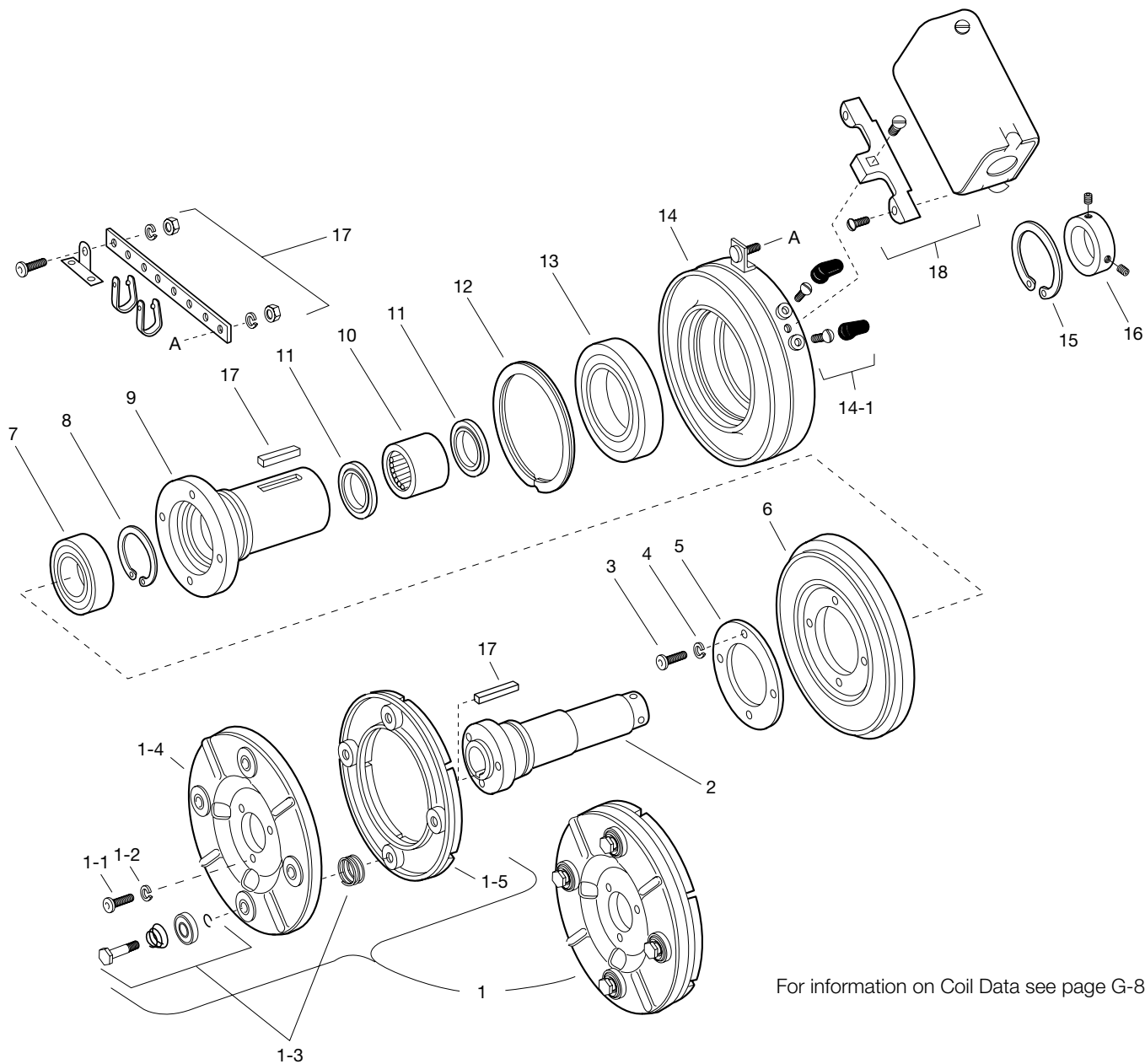


EC Series Electro Clutch

EC-375, EC-475, EC-650



Electrical and Mechanical Data

Model Size	Voltage DC	Static Torque (lb. ft.)	Max. Speed RPM	Armature & Carrier	Inertia-WR ² (lb. ft ²)			Weight lbs.
					Rotor	Outer Sleeve	Total Inner Sleeve	
EC-375	6	16 lb. ft.	5000	.010	.018	.001	.001	4
	24	16 lb. ft.	5000	.010	.018	.001	.001	4
	90	16 lb. ft.	5000	.010	.018	.001	.001	4
EC-475	6	30 lb. ft.	4500	.072	.033	.006	.002	8
	24	30 lb. ft.	4500	.072	.033	.006	.002	8
	90	30 lb. ft.	4500	.072	.033	.006	.002	8
EC-650	6	95 lb. ft.	3600	.106	.202	.010	.013	18
	24	95 lb. ft.	3600	.106	.202	.010	.013	18
	90	95 lb. ft.	3600	.106	.202	.010	.013	18

Service Parts

EC Series Electro Clutch

EC-375, EC-475, EC-650

Component Parts

Item	Description	EC-375		EC-475		EC-650	
		Part No.	Qty.	Part No.	Qty.	Part No.	Qty.
1	Armature & Carrier Assembly	5380-101-006	1	5181-101-003	1	5281-101-003	1
	1-1 Capscrew	797-1214	3	797-1214	3	797-0086	3
	1-2 Lockwasher	950-0102	3	950-0102	3	950-0102	3
	1-3 Autogap Accessory	5180-101-011	3	5181-101-010	4	5181-101-010	4
	1-4 Carrier	5380-295-002	1	5181-295-002	1	5281-295-002	1
	1-5 Armature	5180-111-002	1	5181-111-002	1	5281-111-002	1
	Inner Sleeve		1		1		1
	1/2" Bore	803-0054					
	5/8" Bore	803-0055		803-1007			
	3/4" Bore			803-1005			
2	7/8" Bore			803-1006			
	1" Bore					803-0047	
	1-1/8" Bore					803-0049	
	1-1/4" Bore					803-0048	
	1-3/8" Bore					803-0050	
	3	Screw	797-1050	6	797-1039	4	797-0083
4	Lockwasher	950-0105	6	950-0102	4	950-0103	4
5	Retainer Plate	748-0391	1	748-0393	1	748-0389	1
6	Rotor	5180-751-001	1	5181-751-003	1	5281-751-001	1
7	Ball Bearing	166-0149	1	166-2016	2	166-0110	1
8	Retainer ring	748-0017	1	748-0023	2	748-0002	1
9	Outer Sleeve	5180-104-001	1	803-1003	1	5281-104-001	1
10	Sleeve Bearing	166-0177	1	166-0179	1	166-0178	1
11	Oil Seal	795-0027	2	795-0028	2	795-0026	2
12	Retainer Ring	748-0101	1	748-0102	1	748-0104	1
13	Ball Bearing	166-0150	1	166-0110	1	166-0104	1
	Field		1		1		1
14	6 volt	5180-451-002		5181-451-002		5281-451-002	
	24 volt	5180-451-004		5181-451-004		5281-451-004	
	90 volt	5180-451-005		5181-451-005		5281-451-005	
	14-1 Terminal Accessory	5103-101-002	1	5103-101-002	1	5311-101-001	1
15	Retainer Ring	748-0018	1	748-0002	1	748-0004	1
16	Set Collar	266-0011	1	266-0012	1	266-0010	1
	Accessory, W/Keys		1		1		1
17	1/2" Bore	5180-101-001					
	5/8" Bore	5180-101-001		5181-101-001			
	3/4" Bore			5181-101-001			
	7/8" Bore			5181-101-002			
	1" Bore					5281-101-001	
	1-1/8" Bore					5281-101-001	
18	1-1/4" Bore					5281-101-001	
	1-3/8" Bore					5281-101-002	
	Conduit Box	5200-101-010	1	5200-101-010	1	5200-101-010	1

Refer to service manual P-273-5-WE.

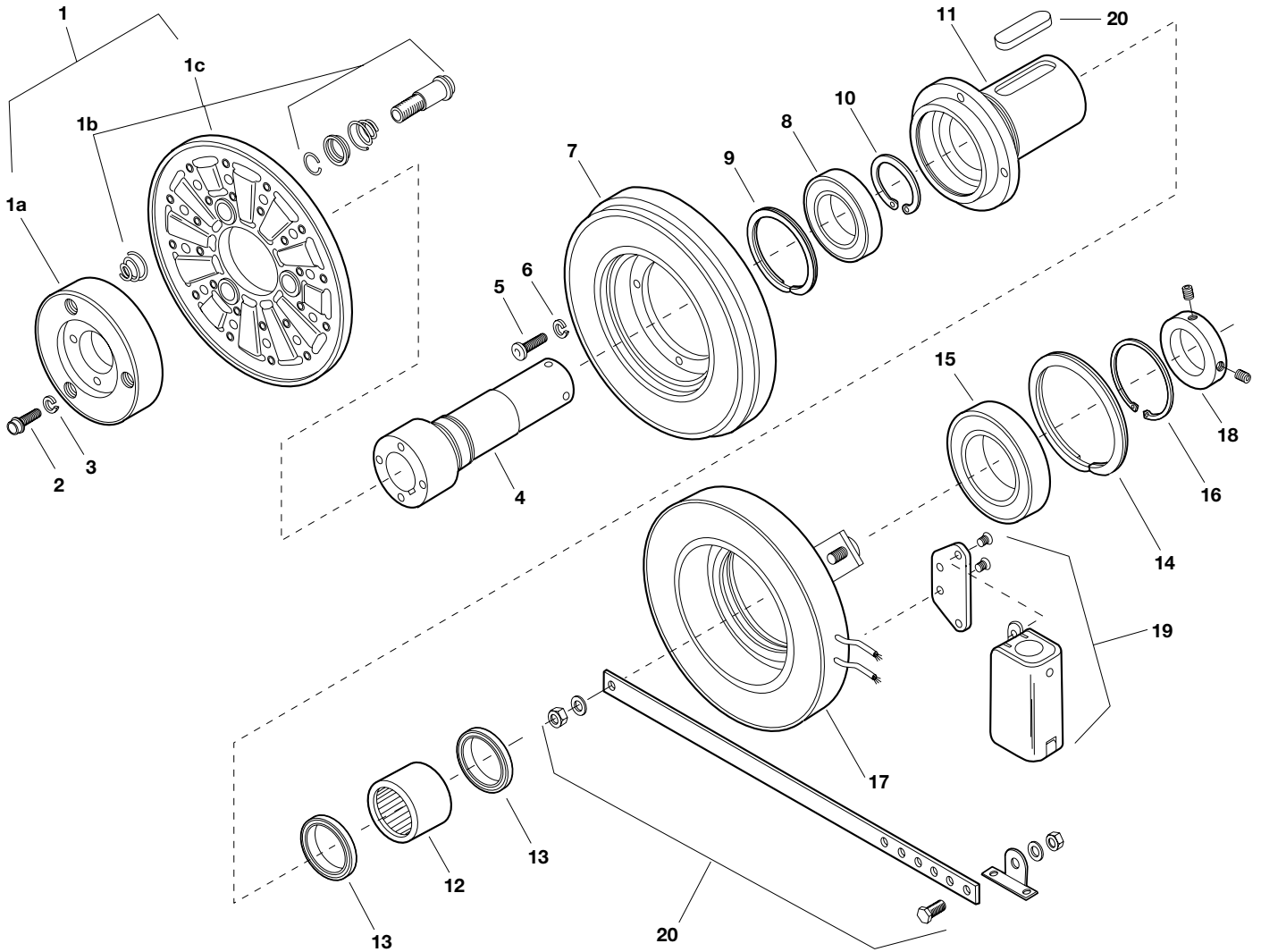
These units meet the standards of UL 508 and are listed under guide card #NMTR2, file #59164.



Service Parts

EC Series Electro Clutch

EC-825



Service Parts

EC Series Electro Clutch

EC-825

Component Parts

EC-825			
Item	Description	Part No.	Qty.
1	Armature Assembly	5282-111-002	1
	1a Hub	540-1298	1
	1b Autogap Accessory	5201-101-068	3
	1c Armature	5282-111-001	1
2	Capscrew	797-0081	4
3	Lockwasher	950-0103	4
4	Inner Sleeve		1
	1-1/8" Bore	803-0069	
	1-1/4" Bore	803-0070	
	1-3/8" Bore	803-0071	
5	Capscrew	797-0086	4
6	Lockwasher	950-0103	4
7	Rotor Assembly	5282-751-001	1
8	Ball Bearing	166-0110	1
9	Retainer Ring	748-0102	1
10	Retainer Ring	748-0002	1
11	Rotor Adapter	5282-105-002	1

EC-825			
Item	Description	Part No.	Qty.
12	Roller Bearing	166-0178	1
13	Oil Seal	795-0026	2
14	Retainer Ring	748-0104	1
15	Ball Bearing	166-0104	1
16	Retainer Ring	748-0004	1
	Field		1
	6 volt	5282-451-002	
17	24 volt	5282-451-004	
	90 volt	5282-451-005	
18	Set Collar	266-0010	1
19	Conduit Box	5200-101-012	1
20	Mounting Accessory with Keys	5282-101-001	1

Refer to Service Manual P-0210-WE.

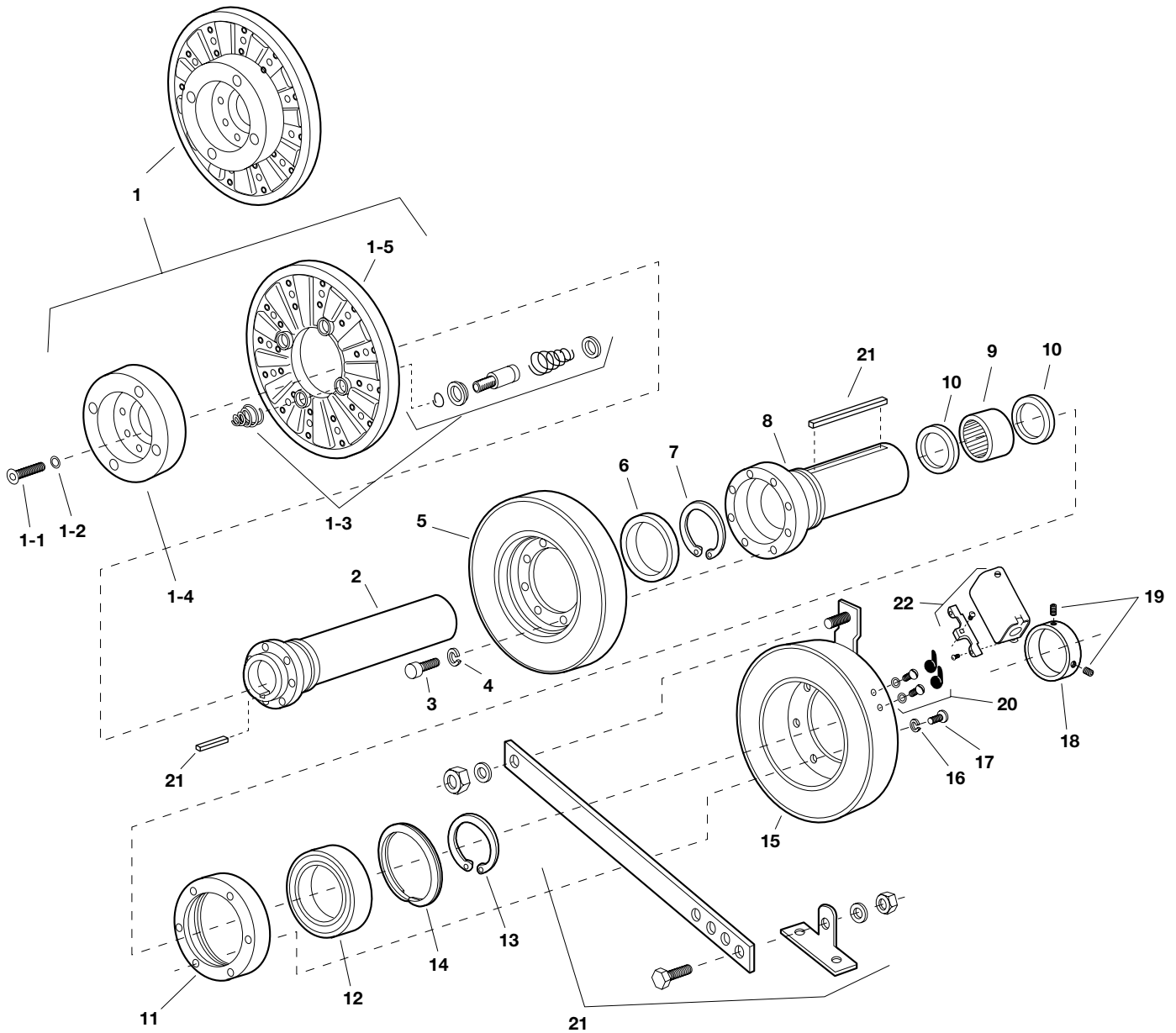
These units when used with the correct Warner Electric conduit box, meets the standards of UL508 and are listed under guide care #NMTR, file #59164.



Service Parts

EC Series Electro Clutch

EC-1000, EC-1225



Service Parts

EC Series Electro Clutch

EC-1000, EC-1225

Component Parts

Item	Description	EC-1000		EC-1225	
		Part No.	Qty.	Part No.	Qty.
1	Armature & Carrier Assembly	5283-111-001	1	5284-111-001	1
	1-1 Capscrew	797-1163	6	797-1163	8
	1-2 Lockwasher	950-0111	6	950-0111	8
	1-3 Autogap Accessory	5201-101-008	3	5201-101-008	4
	1-4 Hub	540-1338	1	540-1340	1
	1-5 Armature	5302-111-013	1	5385-111-003	1
2	Inner Sleeve		1		1
	3/8" Bore	803-0027			
	1-1/2" Bore	803-0166			
	1-5/8" Bore	803-0028		803-0078	
	1-5/8" Bore			803-0030	
	2-1/8" Bore			803-0031	
3	Capscrew	797-0083	8	797-0416	8
4	Lockwasher	950-0103	8	950-0106	8
5	Rotor Assembly	5283-101-002	1	5284-101-006	1
6	Ball Bearing	166-0168	1	166-0170	1
7	Retainer Ring	748-0067	1	748-0503	1
8	Outer Sleeve	803-0025	1	803-0032	1
9	Roller Bearing	166-0180	1	166-0181	1
10	Oil Seal	795-0029	2	795-0033	2
11	Adapter Ring	748-0480	1	748-0466	1
12	Ball Bearing	166-0163	1	166-0163	1
13	Retainer Ring	748-0502	1	748-0502	1
14	Retainer Ring	748-0114	1	748-0114	1
15	Field		1		1
	6 volt	5283-451-002		5284-451-002	
	24 volt	5283-451-010		5284-451-010	
	90 volt	5283-451-003		5284-451-003	
16	Lockwasher	950-0355	6	950-0359	6
17	Capscrew	797-0083	6	797-0416	6
18	Set Collar	266-0015	1	266-0016	1
19	Set Screw	797-0468	2	797-0130	2
20	Terminal Accessory	5311-101-001	1	5311-101-001	1
21	Mounting Accessory with Keys		1		1
	1-3/8" Bore	5283-101-005			
	1-1/2" Bore	5283-101-009			
	1-5/8" Bore	5283-101-006		5284-101-007	
	1-7/8" Bore			5284-101-001	
2-1/8" Bore			5284-101-002		
22	Conduit Box	5200-101-011	1	5200-101-011	1

Refer to service manual P-0210-WE.

These units when used with the correct Warner Electric conduit box, meets the standards of UL508 and are listed under guide care #NMTR, file #59164.



Service Parts