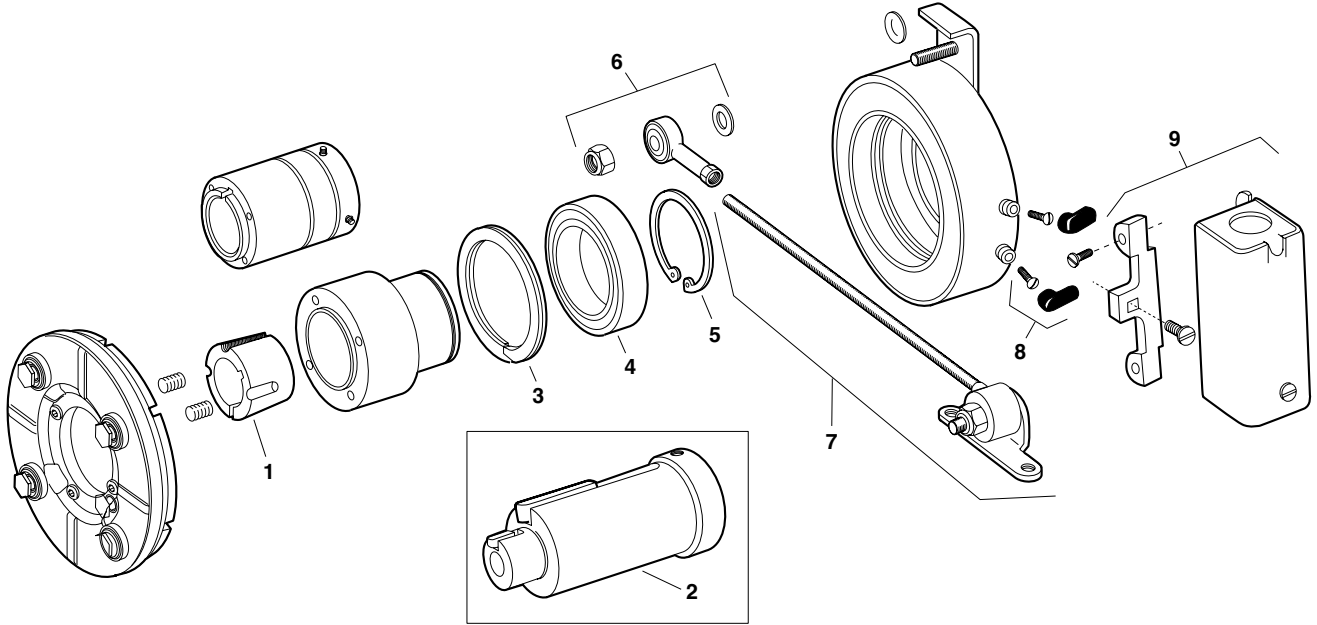


# FB Series Electrically Released Brakes

**FB-375, FB-475, FB-650**



## Service Parts

# FB Series Electrically Released Brakes

## FB-375, FB-475, FB-650

### Component Parts

Item	Description	FB-375		FB-475		FB-650	
		Part No.	Qty.	Part No.	Qty.	Part No.	Qty.
<b>Optional Parts</b>							
1	*Bushing	N/A		180-0410 1/2" bore to 180-0418 1" bore	1	180-0421 1/2" bore to 180-0435 1-3/8" bore	1
	Adapter (optional)		1		1		1
	5/8" motor shaft	5380-101-005					
2	7/8" motor shaft	5380-101-004					
	1-1/8" motor shaft			5381-101-003			
	1-3/8" motor shaft					5382-101-003	
	1-5/8" motor shaft					5382-101-002	
<b>Service Parts</b>							
3	Retainer ring	748-0101	1	748-0102	1	748-0104	1
4	Ball bearing	166-0150	1	166-0110	1	166-0104	1
5	Retainer ring	748-0018	1	748-0002	1	748-0004	1
6	Torque arm mount assembly	5380-101-007	1	5381-101-006	1	5382-101-007	1
7	Torque arm rod assembly	5380-112-001	1	5381-112-001	1	5382-112-001	1
8	Terminal accessory	5311-101-001	1	5311-101-001	1	5311-101-001	1
9	Conduit Box	5200-101-010	1	5200-101-010	1	5200-101-010	1

\*See page B-3 for specific part numbers.

These units, when used with the correct Warner Electric conduit box, meet the standards of UL508 and are listed under guide card #NMTR2, file #59164. Magnet and armature are not field replaceable.



### Service Parts